

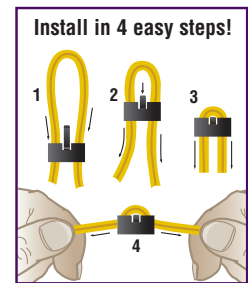
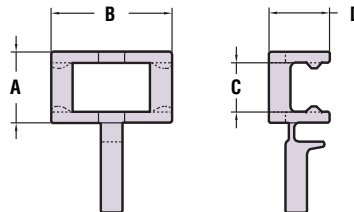


## Heyco® In-Line Strain Relief Bushing

- Replaces "UL Knot" method of providing strain relief
- Quick and easy to secure on any SPT-2 wire.
- Cost effective. No cutting or tools needed as with metal clamp type strain reliefs. There is no risk of repetitive motion strain or injury.
- Recognized (far exceeds UL's 35# pull-out test).
- UL Approved for use with SPT-2 Wire.

WILL FIT THESE CABLES				PART DIMENSIONS								PART NO. Black	DESCRIPTION
UL Type Designation	AWG/ Conductors	Approximate Size		A		B		C		D			
		in.	mm.	in.	mm.	in.	mm.	in.	mm.	in.	mm.		
SPT-2	18/2	.150 x .280	3,8 x 7,1	.41	10,4	.70	17,8	.29	7,4	.35	8,9	<b>1854</b>	ISR 14-27

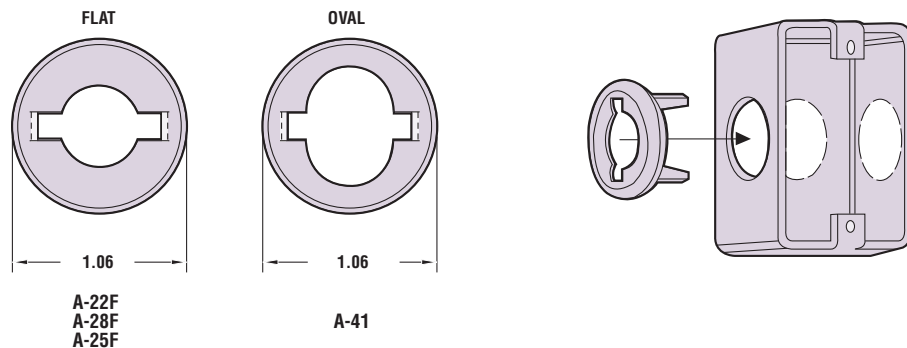
Standard color black. Consult Heyco for white and other colors.  
No panel required for application.



## Heyco® Knock-Out Adapters For Strain Relief Bushings

- Made of zinc-plated steel.
- Converts trade size knock-out holes to diameters suitable for strain relief bushings.
- Allows for standardization of panel design since various strain relief bushing sizes can be adapted to one panel hole size.
- Allows for the mounting of strain relief bushings into unusually thick panel.
- Adapters mount into 1/2" knock-outs (7/8" or 22,2 mm nominal diameter).

Will Adapt These Strain Reliefs to Fit an .875" (22,2mm.) Diameter Hole.	PART NO.	DESCRIPTION	LUG LENGTH	
			in.	mm.
4K-1, 4K-4, 4K-6, 4L-1 4L-4, 5L-1, 5P3-4, 5P-4, 5P-7, 5S-1, 6W-1, 14-1, 15-1, 5M-3	<b>7562</b>	A-22F	.500	12,7
6K-5, 6L-1, 6P2-5, 6P3-4 6P3-5, 6P3-7, 6P-4, 6P-5 6P-7, 10-2, 11-2, 11K-2	<b>7567</b>	A-25F	.500	12,7
2P-4, 2P-5, 5K-4, 5W-1 16-1, 2L-1, 2M-4	<b>7570</b>	A-28F	.500	12,7
20-1, 20L-1, 30-1	<b>7572</b>	A-41	.500	12,7



**A-10 Adapter Pliers (Part #0024)**  
For quick and easy locking of adapters.



A-10